

AVTRON

AVTRON

ATOM 600 TVL

AA-6003P-FS
Dome Camera

Superior Engineering Design & Sensational Image Quality

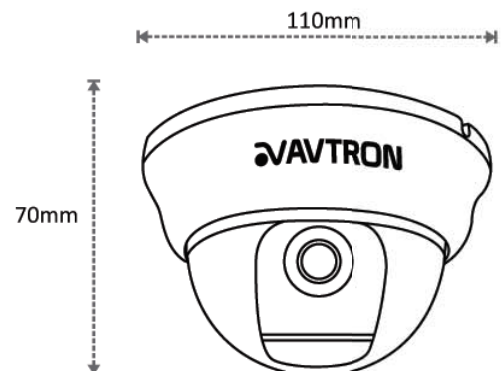
AA-6003P-FS Dome Camera

Features :

- Mini Indoor Low Lux Dome Camera
- 1/3" Prop. Image Sensor
- Super 600 TV Lines Resolution
- Night Vision with Lower Lux Image Capturing
- 3.6MM M12 Standard Lens
(Optional 2.5/6.0/8.0/12.0MM)
- BLC, AES Auto Enabled
- Gain Control Auto Enabled
- AWB Auto Enabled
- Indoor Plastic Dome Housing
- Supports 12V DC \pm 10% Power range with Low Power Consumption



Dimension :



Specifications :

Model	AA-6003P-FS	AA-6003N-FS
Signal System	PAL	NTSC
CCD Type	1/3" Prop. Image Sensor	
Scanning Frequency	PAL - H : 15.625 KHz V : 50 Hz	NTSC - H : 15.734 KHz V : 60 Hz
Effective Pixels	PAL - 752(H) * 582(V)	NTSC - 768(H) * 494(V)450 TVL
Horizontal Line Resolution	600 TVL	
Scanning Type	2:1 Interlace	
S/N Ratio	more than 65dB	
Electronic Shutter	AES:1/50s-1/100,000s	AES: 1/60s-1/100,000s
Lens Type	3.6MM M12 Lens	
Lux Level(illumination)	0.05 Lux @ F 1.2	
Gamma characteristics	0.45 Default	
Auto Gain Control	Auto	
Auto White Balance	Auto	
Back Light Compensation	Auto	
Synchronous System	Internal Synchronization	
Video output	1.0Vp-p,75Ω, BNC Cable Connector	
Power Supply	DC 12V ± 10%, DC Cable Connector	
Power Consumption	<90mA @ 12VDC	
Operating Temperature	-10°C ~ + 50°C	
Dimensions(W×D×H)	110mm (W) x 70mm(H)	
Weight (g)	126 g	
Enclosure	Plastic	

* Product specifications and appearance may be changed without prior notice due to improvements.



Scan with your
Smart phone for
more information

